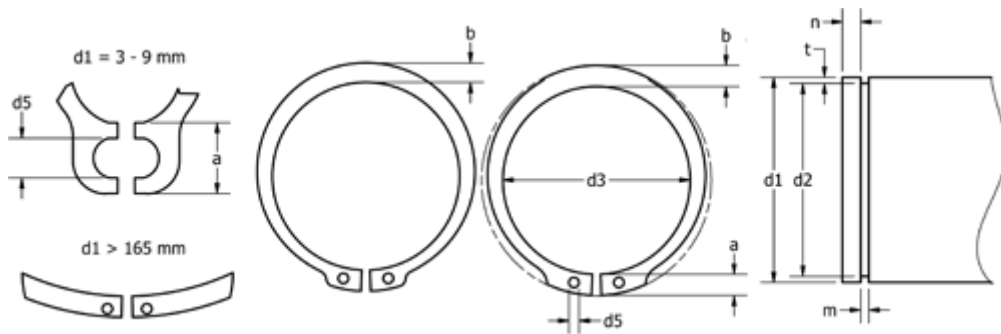


# Data Sheet



Article number: 0101052  
 Description: Retaining ring A 35 DIN 471  
 Spring steel  
 Note: Fitted with ZGA pilers

## Measures



a max	= 5.6	FN kN	= 17.8	s	= 1.50
AN mm <sup>2</sup>	= 107.0	FRg kN	= 5.55	t	= 1.00
b	= 3.9	FR kN	= 30.80	tol	= -0.25
d1	= 35	g	= 2.0	tol	= -0.06
d2	= 33.0	K kN-mm	= 60.10	tol	= +0,25-0,50
d3	= 32.2	m min	= 1.60	Tong	= ZGA-2
d5 min	= 2.5	n abl x 1000	= 16.0	Weight kg/1000	= 4.000
Description	= A35	Nominal drive	= 3.0		